

# DDPSK 시스템을 위한 결정궤환복조에 근거한 적응등화기

정희원 장 동 운\*

## Decision Feedback Demodulation-based Adaptive Equalizers for DDPSK Systems

Dhong Woon Jang\* *Regular Member*

### ABSTRACT

This study extends the modified linear feedback equalizer (MLFE), normally used for differentially coherent DPSK systems, to the equalization of double differentially coherent PSK (DDPSK) signals. By feeding back into the feedback part after modifying the equalizer output using decision feedback-based demodulation, the proposed equalizer can operate like an equalizer with a decision feedback structure. Simulation results show that performances of the decision feedback demodulation-based feedback equalizer (DFD-FE) approach those of the DFE/coherent.

### I. Introduction

In an attempt to alleviate the need for frequency tracking loops in DPSK receivers, the development of the double differentially coherent DDPSK systems has been pursued since the 1970's. Recently, to reduce the performance gap between conventional double differentially coherent demodulators and coherent ones, advanced demodulation schemes have been investigated for the case of additive white Gaussian noise (AWGN) channels [3]-[5], yet without the presence of channel distortion due to intersymbol interferences (ISI). In contrast decision feedback-type equalizers have been employed in coherent communication systems and differently coherent DPSK systems [1][2]. However, these equalization schemes are not compatible with double differentially coherent DDPSK systems.

Accordingly, this paper considers the equalization of distorted signals in non-coherent DDPSK

systems, which has received little attention until now. The proposed equalizer is considered as an extension of the equalizer in [1], originally proposed for double differentially coherent DPSK systems, and is a hybrid of a decision feedback-based demodulator [5] and a linear feedback equalizer. That is, by modifying the equalizer output based on the decision feedback demodulation before feeding back into the feedback part of the linear equalizer, the proposed equalizer can perform like a decision feedback equalizer with coherent detection. This is demonstrated through computer simulation.

### II. Decision feedback demodulation-based adaptive equalizers

Consider the transmission of doubly differential PSK (DDPSK) signals over multipath fading channels. At the transmitter, the information symbols,  $a_k$  are differentially encoded into

\* Agency for Defense Development (dwjang@add.re.kr)

논문번호 : 010408-1231, 접수일자 : 2001년 12월 31일

$$b_k = a_k b_{k-1} = b_0 \prod_{i=1}^k a_i \tag{1}$$

Thereafter, the transmitted symbols,  $d_k$  can be obtained through another differential encoding:

$$d_k = b_k d_{k-1} = d_0 \prod_{i=1}^k b_i \tag{2}$$

in which  $d_k = \exp(j\varphi_k)$ ;  $\varphi_k$  is represented by  $2\pi i/M$ ,  $i=1, \dots, M-1$  for  $M$ -ary communication systems. For a multipath fading channel, the received signal,  $r_k$  is represented as

$$r_k = \sum_{i=-\infty}^{\infty} h_i d_{k-i} e^{j(w_k k + \theta)} + n_k \tag{3}$$

where  $\{h_i\}_{i=-\infty}^{\infty}$  depicts the overall channel impulse response which includes the transmitting filter, the channel, and the receiving filter,  $w_d$  and  $\theta$  represent the carrier frequency and phase uncertainties of the carrier, respectively,  $n_k$  stands for an AWGN channel with a zero mean and variance  $\sigma_n^2 (= N_o/E_b)$ , where  $N_o$  is the single-sided noise power spectrum density, and  $E_b$  is the signal energy per bit taking unity magnitude.

It is shown in [4] that under an AWGN channel (i.e.,  $h_i=1$  for  $i=0$ , and  $h_i=0$  otherwise), a decision feedback-based demodulator

of DDPSK signals can be given by

$$\tilde{a}_k = \text{dec}\{v_k B_{k-1}^*\} \tag{4.a}$$

$$\tilde{d}_k = r_k + \beta_1 B_k \tilde{d}_{k-1} \tag{4.b}$$

$$\tilde{b}_k = v_k + \beta_2 \tilde{a}_k \tilde{b}_{k-1} \tag{4.c}$$

$$v_k = r_k D_{k-1}^* \tag{4.d}$$

where  $B_k = \tilde{b}_k / \{\tilde{b}_k\}$ ,  $D_k = \tilde{d}_k / \{\tilde{d}_k\}$ ,  $\text{dec}\{\cdot\}$  means a decision device, and  $\beta_1$  and  $\beta_2$  are the forgetting factors which limit the effects of previous signals and have values within a range of  $0 \leq \beta_1, \beta_2 < 1$ . In (4.d)  $D_k$  is employed since  $\tilde{d}_{k-1}$  is an estimator of  $d_{k-1} e^{j(w_d(k-1) + \theta)}$ , which has a unity magnitude in DDPSK systems. Its implementation is illustrated in Fig. 1.

In order to combat an unknown channel distortion and frequency uncertainties simultaneously, this demodulator is then combined with a linear feedback equalizer to produce a *decision feedback demodulator-based feedback equalizer* (DFD-FE), shown in Fig. 2.

The equalizer output is double differentially demodulated and then quantized to produce the decision  $\tilde{a}_k$ , the error signal  $e_k$  is obtained for equalizer tap adaptation, and the estimated reference signal  $D_k$  is fed into the feedback

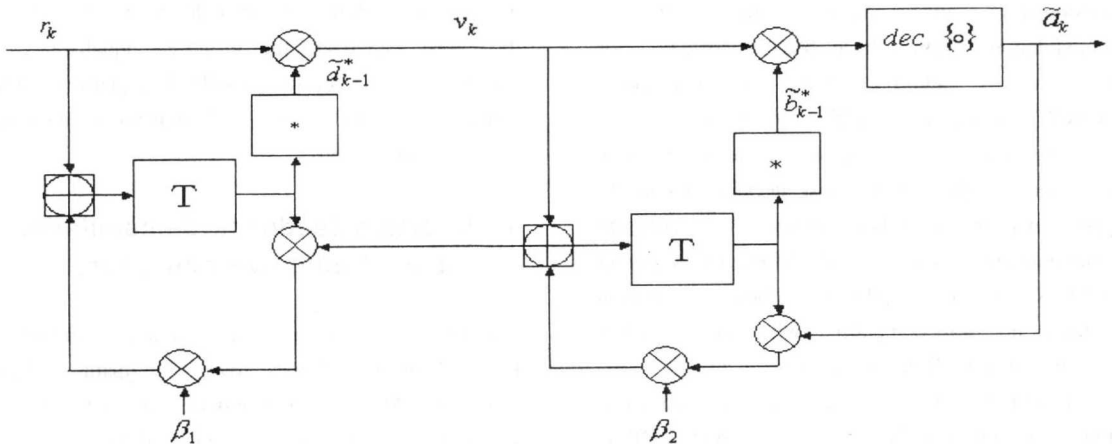


Fig. 1 Decision feedback-based demodulator for double differentially coherent DDPSK systems (depicts a function which normalizes after summation, \* means a complex conjugate)

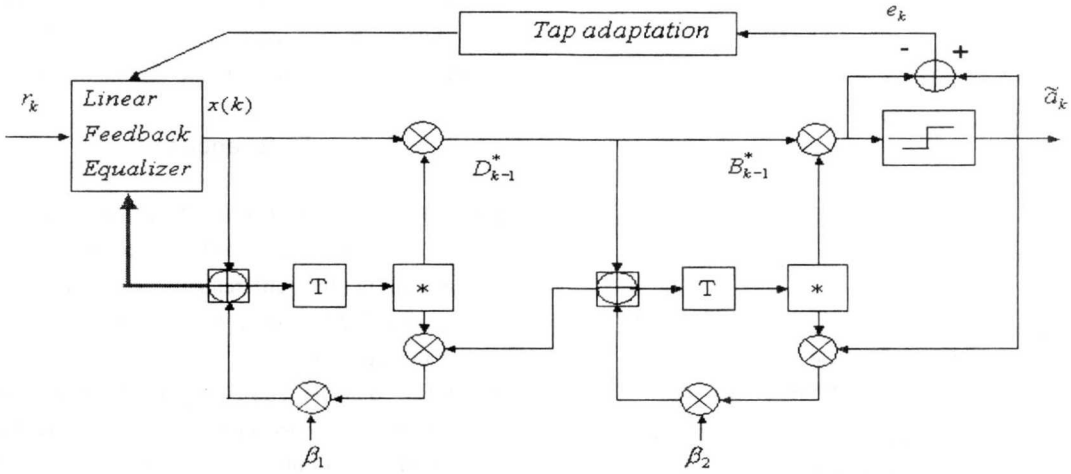


Fig. 2 DFD-FE for double differentially coherent DDPSK systems

part. If a least mean square (LMS) algorithm is used for the tap adaptation with the assumption of a constant  $B_{k-1}D_{k-1}^*$ , the system can be specified by the following equations:

$$x_k = W_k^t Q_k \tag{5.a}$$

$$e_k = \tilde{a}_k - x_k D_{k-1}^* B_{k-1}^* \tag{5.b}$$

$$W_{k+1} = W_k + \mu e_k Q_k^* D_{k-1} B_{k-1} \tag{5.c}$$

where  $t$  means the transpose,  $Q_k^t = \{r_{k+N_f}, \dots, r_k D_{k-1}, \dots, D_{k-N_b}\}$  with  $N_f$  and  $N_b$  the number of feedforward and feedback taps, respectively.  $W_k$  is the  $N_f + N_b + 1$  dimensional tap coefficient vector at  $k$ . This system reduces to a linear equalizer for non-coherent DDPSK systems if  $D_{k-1}B_{k-1}^*$  and  $Q_k^t$  are replaced with  $x_{k-1}x_{k-1}^*$  and  $R_k^t = \{r_{k+N_f}, \dots, r_k, \dots, r_{k-N_b}\}$ , respectively. If only  $Q_k$  is replaced with  $R_k$ , then the system becomes a decision feedback demodulation-based non-feedback equalizer (DFD-NFE) for DDPSK systems.

### III. Simulation Result

The performance of the proposed equalizer was

examined through computer simulation with DDBPSK, and compared with that of a DFE with coherent demodulation. In the simulation, two linear phases, finite impulse response (FIR) channels were considered, as in [1], that is, channels A and B, specified by  $\{h_0, h_1, h_2\} = \{0.304, 0.903, 0.304\}a$  and  $\{0.407, 0.815, 0.407\}$ , respectively. Channel B had a spectral null in its frequency response and caused more severe ISI. Each equalizer had 15 taps with  $N_f = 9$  and  $N_b = 5$ , and  $w_d = 0.5\pi$  and  $\theta = 1.5\pi$ . The step size for the tap adaptations was set at  $\mu = 0.002$ , plus the parameters for the decision feedback demodulator were: (a)  $\beta_1 = 0.5, \beta_2 = 0.9$  for DFD-NFE and (b)  $\beta_1 = 0.0, \beta_2 = 0.9; \beta_1 = 0.5, \beta_2 = 0.9$  for DFD-FE. The tap coefficients were initially obtained using  $10^5$  training BPSK signals. The BER values were empirically estimated by processing  $10^7$  binary input data. Figs. 3 and 4 show the BER values for channels A and B, respectively. For both channels, the performances of DFD-FE compatible with double differentially coherent detection outperformed DFE-NFE and were even comparable to those of the DFE with coherent detection (DFE/coherent).

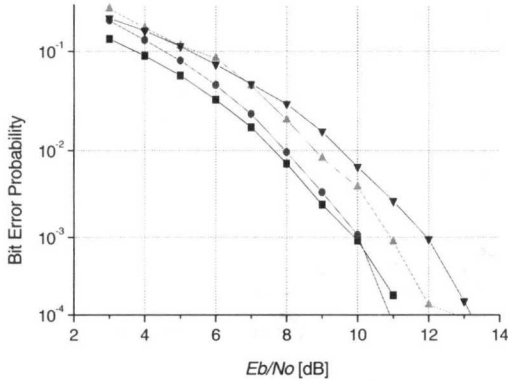


Fig. 3 Bit error probability relative to  $E_b N_o$  for channel A. (DFD-NFE:  $\nabla \beta_1=0.5, \beta_2=0.9$  DFD-FE:  $\blacktriangle \beta_1=0.0, \beta_2=0.9$ ;  $\bullet \beta_1=0.5, \beta_2=0.9$ ,  $\blacksquare$  DFE/coherent)

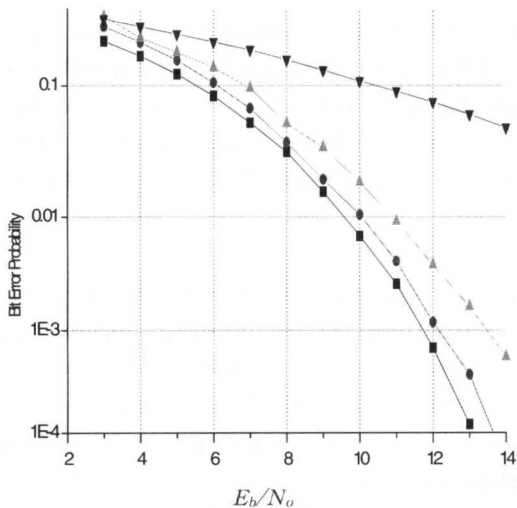


Fig. 4 Bit error probability relative to  $E_b N_o$  for channel B. (DFD-NFE:  $\nabla \beta_1=0.5, \beta_2=0.9$  DFD-FE:  $\blacktriangle \beta_1=0.0, \beta_2=0.9$ ;  $\bullet \beta_1=0.5, \beta_2=0.9$ ,  $\blacksquare$  DFE/coherent)

#### IV. Conclusions

Decision feedback demodulator-based adaptive equalizers for the detection of DDPSK signals were proposed under the multipath fading channel with relatively large frequency uncertainties. The equalizers are based on extending the equalization techniques of DPSK to cases of DDPSK. Through computer simulations, it was confirmed that the

performances of the decision feedback demodulation-based feedback equalizer (DFD-FE) were comparable to those of the DFE/coherent.

#### References

- [1] D. W. Jang, S. K. Oh, and Y. H. Lee, "Decision feedback demodulation-based adaptive linear equalizers for differentially coherent DPSK systems," *Electronics Letters*, vol. 32, no. 20, 26th Sept. 1996.
- [2] Robert Schober and Wolfgang H. Gerstacker, "Adaptive Noncoherent DFE for MDPSK Signals Transmitted over ISI Channels," *IEEE Trans. Commun.* vol. 48, no. 7, July 2000.
- [3] M. K. Simon and D. Divsalar, "On the implementation and performance of single and double differential detection schemes," *IEEE Trans. Commun.* vol. 40, pp. 278-291, Feb. 1992.
- [4] E. Biglieri, E. Bogani, and M. Visintin, "Block demodulation-An overview," *Proceedings of IEEE third ISSTA*, pp. 36-42, 1994.
- [5] D. W. Jang and T. H. Choi, "Decision Feedback-Based Demodulation of Doubly Differential PSK signals," *IEEE Trans. Commun.* vol. 48, no. 8, Aug. 2000

장 동 운(Dhong Woon Jang)

정회원



1986년 2월 : 경북대학교

전자공학과(공학사)

1988년 2월 : KAIST 전기 및

전자공학과(공학석사)

1998년 8월 : KAIST 전기 및

전자공학과(공학박사)

1988년 2월~현재 : 국방과학연구소 선임연구원

<주관심 분야> 대역확산통신, 위성통신, MODEM